

Yepp®

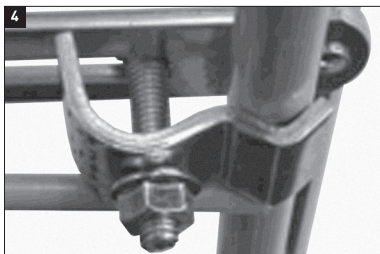
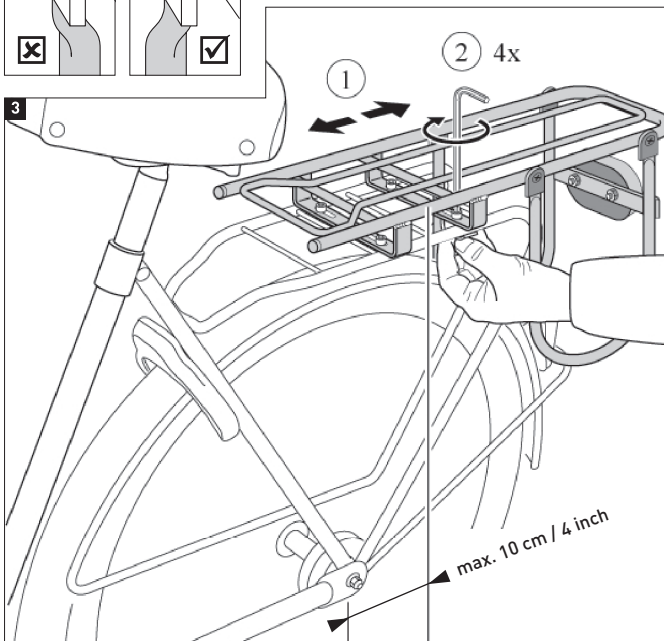
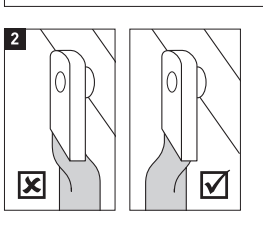
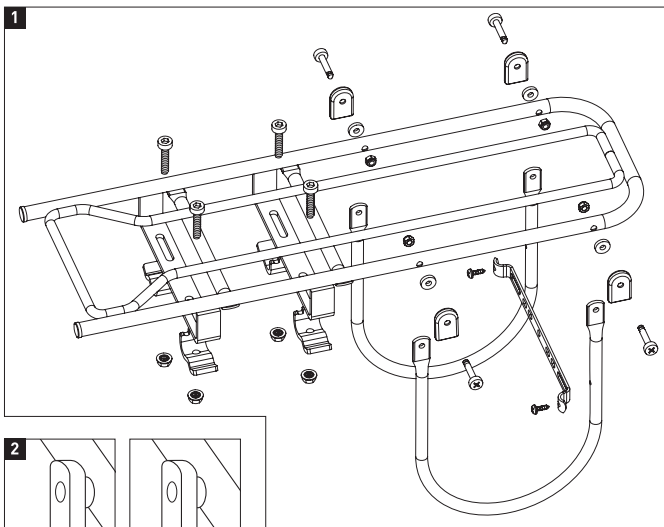
easyfit carrier XL

**Gebruiksaanwijzing • User instructions
• Mode d'emploi • Gebrauchsanweisung
• Instrucciones para el uso • Manuale •
Brugsanvisning • マニュアル**



www.yepp.nl

Yepp® easyfit carrier XL



UK Installation instructions for the Yepp Easyfit carrier XL

The Yepp Easyfit carrier XL is suitable for fitting to standard bicycle luggage carriers with a load capacity of at least 78 lbs / 35 kg. The Yepp Easyfit carrier XL has a special installation frame for the Yepp Easyfit and the Yepp Junior rear seats. The maximum width of the carrier is 6.75 inches.

The Yepp Easyfit carrier XL is **NOT** suitable for the Yepp Junior and the Junior Classic 911.

Because of different safety regulations the Yepp Easyfit carrier XL may not be sold or used in the USA and Canada.

MOUNTING

- Position the Yepp Easyfit carrier XL on the luggage carrier and insert the 4 bolts from above into the four large slots. See the picture below for the proper positioning (**pic.1+2**).
 - Insert the bolts into the 4 clamps positioned under the Yepp Easyfit carrier XL. Note the proper position of the clamps (**pic.4**).
 - Position the Yepp Easyfit carrier XL exactly on your luggage carrier and tighten the bolts firmly.
 - Check the bolts after a few weeks and tighten them again if necessary.
 - The Yepp Maxi Easyfit can be quickly and simply fitted after the installation.
 - The position depends on the type and size of the cycle, and the centre of gravity of the Yepp Maxi Easyfit must never be further than 4 inches / 10 cm behind the rear axle (see the user instructions for the Yepp Maxi Easyfit) (**pic.3**).
-

WARNINGS AND SAFETY ADVICES

- The Yepp Maxi Easyfit can be quickly and simply fitted after the installation.
- The position of the child seat depends on the type and size of the cycle.

WARNING The Yepp Easyfit carrier XL can only be installed on luggage carriers with a load capacity of at least 78 lbs / 35 kg.

- If you are installing a Yepp Maxi Easyfit model child seat, please check whether the bicycle could tip over backwards when the child is in the seat. If so, move the Yepp Easyfit carrier XL forwards.
- Check frequently to ensure that all fittings are sufficiently tight.
- Use the Yepp Easyfit carrier XL only on a bicycle that is in good working order, of a type suitable for carrying the additional load, and of proper size and adjustment for the rider. Check the owner's manual that accompanied the bicycle or contact the bicycle manufacturer or distributor to obtain this information.
- The Yepp Easyfit carrier must not be used on motorised vehicles (including mopeds, scooters, etc.) apart from E-bikes.
- Never modify the carrier in any way.
- Do not use the carrier if any part of it appears damaged.
- GMG BV can never be held liable for any damage, malfunction or breakage of the frame as a result of the installation or use of a Yepp bike seat.

RECOMMENDATION Use a good two-legged bicycle stand.

GMG guarantees that this product has been manufactured according to the latest European safety standards and quality requirements for this product and that this product at the time of purchasing has no defect in workmanship and material. During production various quality checks have been performed. In case, despite all our efforts, during our guarantee period of 24 months, this product shows a material and/or manufacturing fault (with normal use as described in this manual), then GMG is required to respect this guarantee. In that case please contact your dealer. For detailed information on the application of the guarantee you can contact your dealer.

The guarantee is excluded in the following cases:

- In case of use different than described in the manual.
- The product is brought for repair through a **not** authorized dealer.
- The product is not presented with the original proof of purchase to the manufacturer.
- Repairs were performed by third party or not authorized retailer
- The defect was caused by misuse, careless use or maintenance, by neglect or impact damage to the seat and/or frame.
- In case of normal wear to parts, which you may expect during daily use of a product.

Since when?

The guarantee term starts at the date of purchasing of the product.

For what period?

The guarantee is for a period of 24 consecutive months.

The guarantee is only for the first owner and cannot be transferred.

What You Should Do

After purchasing the product you must carefully keep the proof of purchase. The date of purchasing must be clearly visible on the proof of purchase. In case of any problems or defects you have to go to the retailer. You cannot demand exchange or return. Repairs will not affect the duration of the guarantee. Products sent directly to the manufacturer are **not** eligible for guarantee.

This warranty is according to the European Standard 99/44/EG dated May 25th 1999.

Guarantee specifications:

	< 6 months after purchase	> 6 months after purchase
Corrosion	✓	?
	✓ = Guarantee	? = Guarantee possible after inspection

Rights of modifications reserved

Yepp® awards



organized
by



2010:
*good industrial
design*



reddot design award
winner 2009



www.yepp.nl

ORIGINAL  PRODUCT

Yepp®  easyfit carrier XL



Make every day
a 🐙 Yeppy day!