



# Yepp® maxi EASYFIT

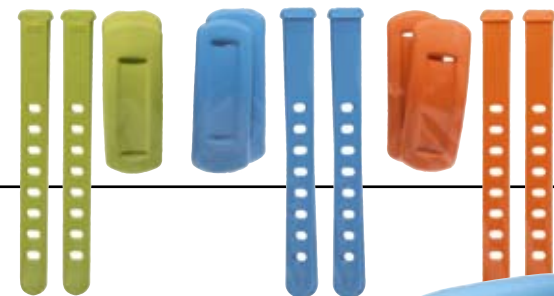
- Gebruiksaanwijzing • User instructions
- Mode d'emploi • Gebrauchsanweisung
- Instrucciones para el uso • Manuale •
- Brugsanvisning • マニュアル



EN 14344



# Yepp® accessoires



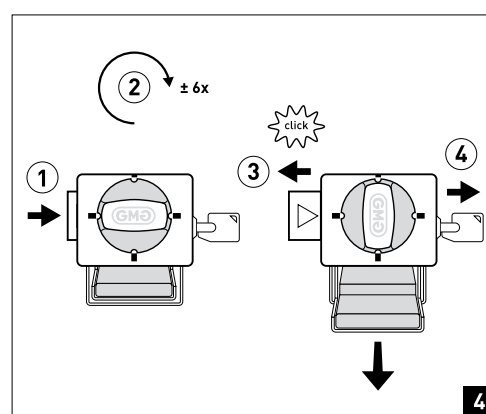
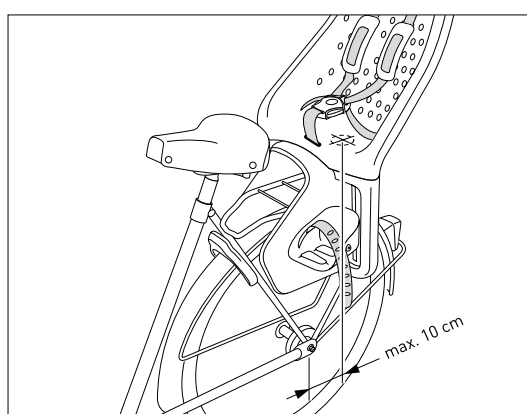
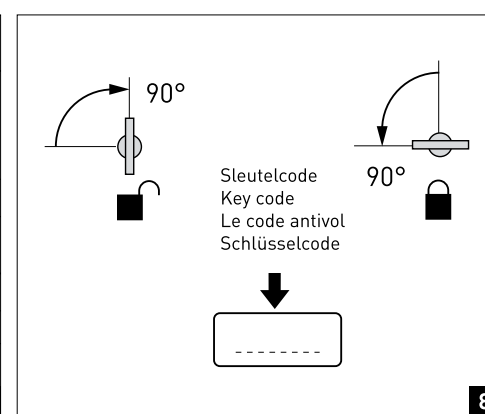
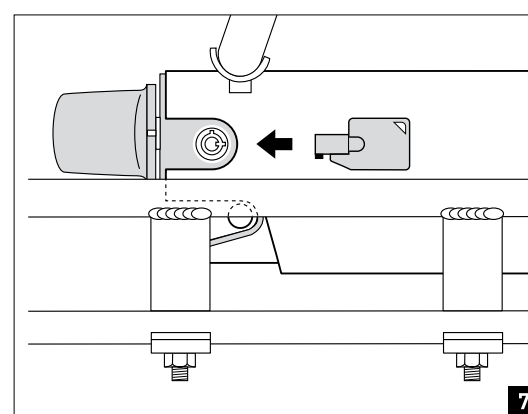
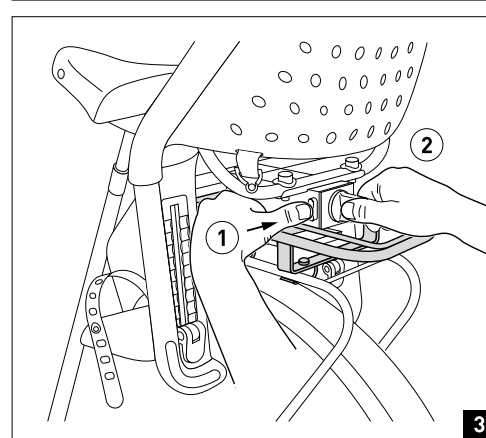
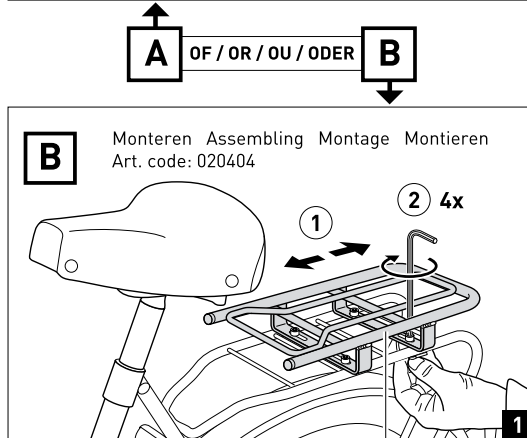
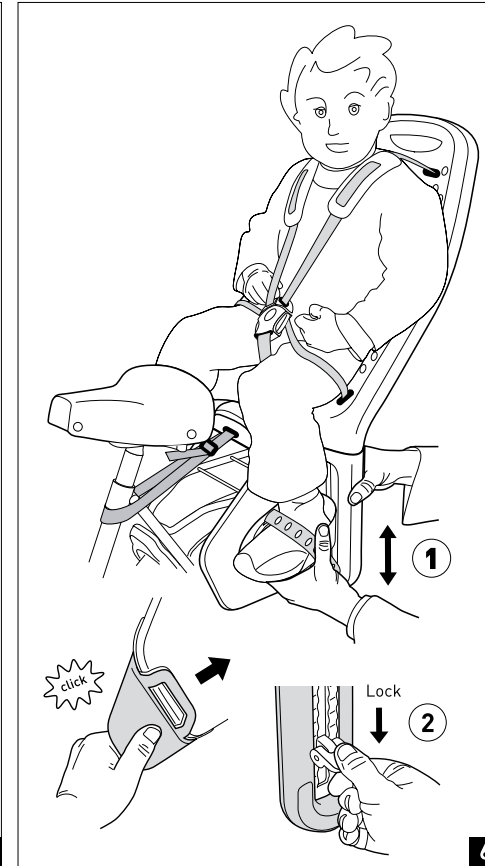
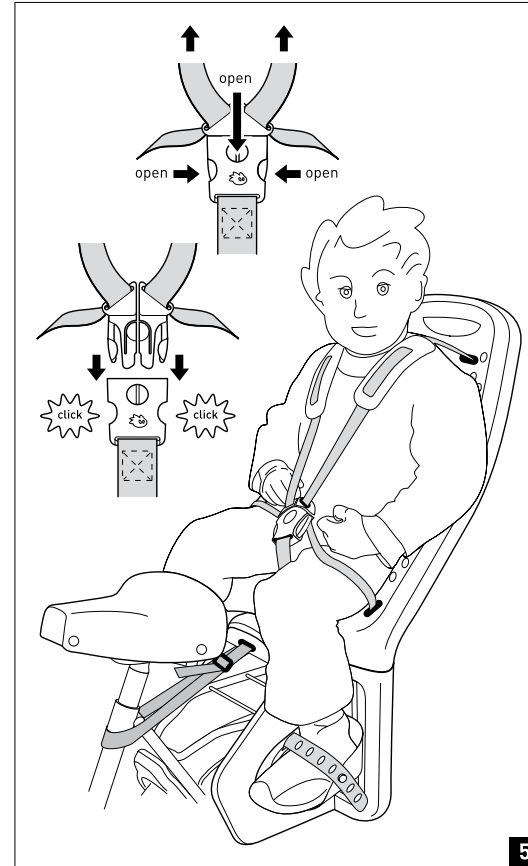
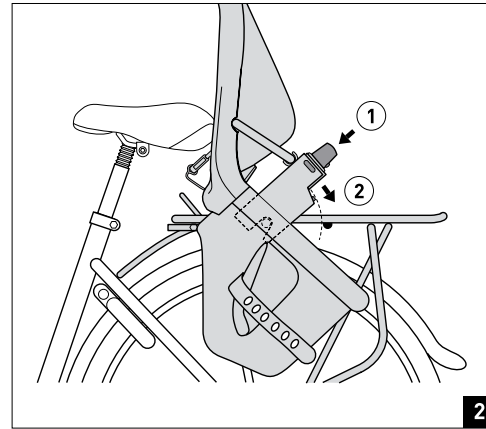
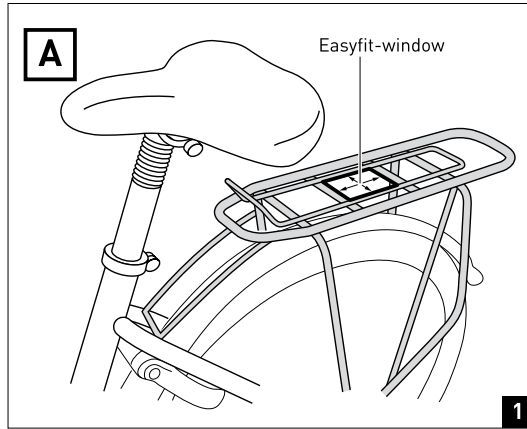
[www.yepp-abc.com](http://www.yepp-abc.com)



Make every day  
a  Yeppy day!

[www.yepp.nl](http://www.yepp.nl)





red dot design award  
winner 2009



[www.yepp.nl](http://www.yepp.nl)

**ORIGINAL  PRODUCT**

**GMG bv**  
Zwanenburgerdijk 348c  
1161 NN Zwanenburg  
The Netherlands  
E info@yepp.nl  
[www.yepp.nl](http://www.yepp.nl)

### The Yepp Maxi Easyfit is suitable for:

- fitting to an Easyfit luggage carrier\* (**pic.1A**) or
- fitting in combination with the Yepp Maxi Easyfit carrier (**pic.1B**).

The Yepp Maxi Easyfit is suitable for carrying children up to a maximum weight of 22 kg (about 6 years old) and meets European standard EN 14344. Do not use the seat if your child can't sit upright, at least for the time of the journey. Because of different safety regulations the Yepp Maxi may not be sold or used in the USA and Canada.

\* The Yepp Maxi Easyfit can be installed on cycles with luggage carriers that are equipped with an *Easyfit frame*, have a load capacity of 25 kg and meet EN 14872. The maximum width of the carrier is 17.5 cm. Please go to our website for a list of cycles that are equipped with an Easyfit luggage carrier. Yepp also has a very solid carrier with easyfit window in the program, consult the website for more information.

If the luggage carrier is not equipped with an *Easyfit frame* but does meet EN 14872 (25kg), the Yepp Maxi Easyfit can be used in combination with the **Yepp Easyfit carrier** (article no. 020404). Installation instructions for the Easyfit carrier are supplied with the carrier.

---

## MOUNTING

### Installing on a luggage carrier with the special Easyfit frame

The Yepp Maxi Easyfit is supplied fully assembled and can therefore be used straight out of the box. If your cycle is equipped with the special Easyfit frame, you can fit the seat directly on the carrier.

- Press and hold the red sliding button while at the same time turning the grey knob counter-clockwise with the slide fully pushed in. Then position the Yepp Maxi Easyfit on the carrier and put the front hook under the front crosspiece. (**pic.2**) Place the Yepp Maxi in horizontal position and press the red slide button again while at the same time turning the round grey knob clockwise until you feel resistance (**pic.3**). The knob has an internal lock to keep the Yepp Maxi Easyfit from coming loose by itself.

**CAUTION!** Always press and hold the red button while fixing and loosening.

- Always make sure the seat is properly secured by lifting it. Make sure the Yepp Maxi Easyfit is always secured by turning the integrated lock to the "locked" position using the key supplied. It is a safety precaution and prevents possible theft of the Yepp Maxi Easyfit. Make a note of the key number so you can get a replacement if the original key is lost (**pic.7+8**)
- To release the seat, perform the above actions in reverse order.
- For optimal protection use the extra foot protectors. (**pic.6**)
- Place the child in the seat and position the footrests to the correct height. Determine the correct height by measuring the length of your child's lower leg, from below the knee to the sole of the foot. This measurement must match the distance from the seat to the underside of the footrest. Always use the foot support straps (**pic.6**).
- Place your child in the seat and adjust the length of the 5-point harness by sliding the buckles. The harness must be tight, however the child must not be harmed. To open the buckle press both half round parts and simultaneously both the sides (**pic.5**)

- Make a test ride, without your child, to see if everything is mounted correctly and the seat does not affect the cycling and everything is still functioning.
- Always close the straps. Make sure your child is not able to remove its feet, but be sure the child is not hurt if they are too tight.
- Cleaning of the Yepp Maxi Easyfit is simple: clean with lukewarm soapy water. Never use aggressive cleaning agents.
- If you have any doubts regarding the assembly of this seat on your bicycle, we recommend you obtain further information from your bicycle dealer.

---

## WARNINGS AND SAFETY ADVICES

**WARNING!** Never modify the seat yourself.

- ALWAYS remove the seat when putting the cycle on a cycle carrier on a car.
- WARNING!** Do not use the seat if any part of it is faulty. Any broken part must be replaced immediately. Consult your dealer.

**WARNING!** Never leave your child unattended in the seat.

**WARNING!** Note that cycling with a child in a child seat can affect the way the cycle behaves, especially when going round corners and when riding off. Use the Yepp Maxi Easyfit only on bicycles that are suitable for carrying the extra load. Check the manual of the bicycle or ask the bicycle manufacturer for advice.

**WARNING!** Never carry bags or other luggage in the seat. If you will carry additional loads, they should be placed at the opposite site of the bicycle, for instance when you use a rear seat you should place the luggage on a front luggage carrier.

- Check after assembling if all fasteners are tightened properly and everything functions correct.
- Make sure that the Yepp Maxi Easyfit is locked at all times by turning the anti-theft lock in the in "lock" position with the adjunct key (fig.7+8). This is safe and prevents possible theft of your Yepp Maxi. Keep the key code for reference, you will need it when you want to order spare keys.
- The Yepp Maxi Easyfit with its seat post fixture is EXCLUSIVELY suitable for mounting on **steel** carriers with the Easyfit frame, complying to EN 14872 (25kg) or in combination with the Easyfit carrier (art. 020404) on **steel** luggage carriers complying to EN 14872 (25kg).
- The Yepp Maxi Easyfit is not suitable for use on lightweight (e.g. carbon ) frames , always consult your dealer or the manufacturer.
- GMG BV can never be held liable for any damage, malfunction or breakage of the frame as a result of the installation or use of a Yepp bike seat.
- The Yepp Maxi Easyfit is not suitable for use on a moped. The use on E-bikes is allowed if they are sufficiently strong enough to carry the extra load. Always consult the bicycle manufacturer for advice.
- The Yepp Maxi Easyfit is designed for average daily use. It is not meant to be used on extreme circumstances such as *off-road* or ATB-courses
- Make sure that the Yepp Maxi Easyfit is always fully fixed by turning the grey handle to the max.
- Always fasten the straps, even if you are not carrying a child in the seat.
- Always use the foot support straps.
- GMG recommends that your child wears a properly-fitting helmet.

Installation instructions for the Yepp Maxi Easyfit

- Use a good two-legged stand.
- Please do not transport children under the age of 9 months or lighter than 9 kg and/ or children who are still too small to sit independently at least for the time as the intended cycle journey.
- Never carry two children in one seat
- Never lift the Yepp Maxi Easyfit with your child still seated.
- Make sure the sun did not overheat your Yepp Maxi Easyfit before placing your child.
- Check regularly that your child has not become too heavy or too tall for the Yepp Maxi Easyfit. The maximum weight is 22 kg and the maximum age is 6 years. For bigger children GMG offers the Yepp Junior.
- Check regularly if all fasteners are sufficiently tight.
- Check of the use of the Yepp Maxi Easyfit is permitted by law in the country you want to use it.
- The minimum age for a cyclist to carry a child in a Yepp Maxi Easyfit is 16 years. The applicable legislation may vary by country.
- Check regularly that limbs and clothing cannot come near rotating or moving parts of the bicycle. For instance a foot in the spokes or a finger in the brake mechanism
- If your saddle has coil springs, cover them with protectors so that your child's fingers cannot become trapped in them.
- Always replace the seat after an accident, even there is no visible damage.
- Additional seat post adapters are available for attaching the seat on a second bicycle.

## ACCESSORIES

For the Yepp Maxi various accessories are available. Please refer to our website [www.yepp.nl](http://www.yepp.nl) for the latest list.

---

## GUARANTEE

GMG guarantees that this product has been manufactured according to the latest European safety standards and quality requirements for this product and that this product at the time of purchasing has no defect in workmanship and material. During production various quality checks have been performed. In case, despite all our efforts, during our guarantee period of 24 months, this product shows a material and/or manufacturing fault (with normal use as described in this manual), then GMG is required to respect this guarantee. In that case please contact your dealer. For detailed information on the application of the guarantee you can contact your dealer.

### The guarantee is excluded in the following cases :

- In case of use different than described in the manual
- The product is brought for repair through a **not** authorized dealer
- The product is not presented with the original proof of purchase to the manufacturer.
- Repairs were performed by third party or not authorized retailer
- The defect was caused by misuse, careless use or maintenance, by neglect or impact damage to the seat and/or frame
- In case of normal wear to parts, which you may expect during daily use of a product.

### Since when ?

The guarantee term starts at the date of purchasing of the product.

### For what period?

The guarantee is for a period of 24 consecutive months.

The guarantee is only for the first owner and cannot be transferred.

## UK What do you have to do?

After purchasing the product you must carefully keep the proof of purchase. The date of purchasing must be clearly visible on the proof of purchase. In case of any problems or defects you have to go to the retailer. You cannot demand exchange or return. Repairs will not affect the duration of the guarantee. Products sent directly to the manufacturer are not eligible for guarantee.

This warrantee is according to the European Standard 99/44/EG dated May 25th 1999.

### Guarantee specifications:

	< 6 months after purchase	> 6 months after purchase
Fading	✓	?
Corrosion	✓	?
Harness wear	✓	?
Feet rests	✓	?
	✓ = Guarantee	? = Guarantee possible after inspection

Rights of modifications reserved